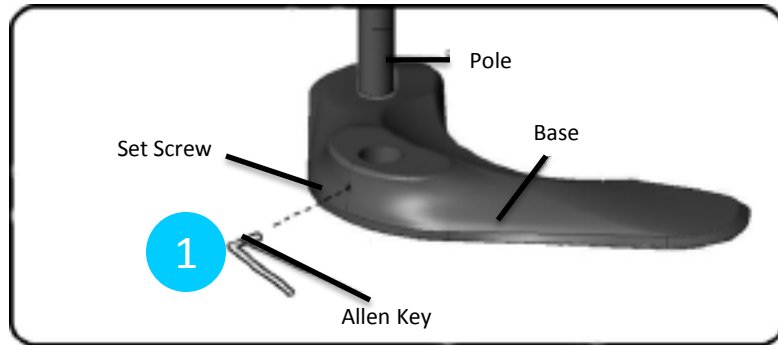


Installation instructions for the Ergotech Dual Horizontal Desk Stand – 100-D16-B02



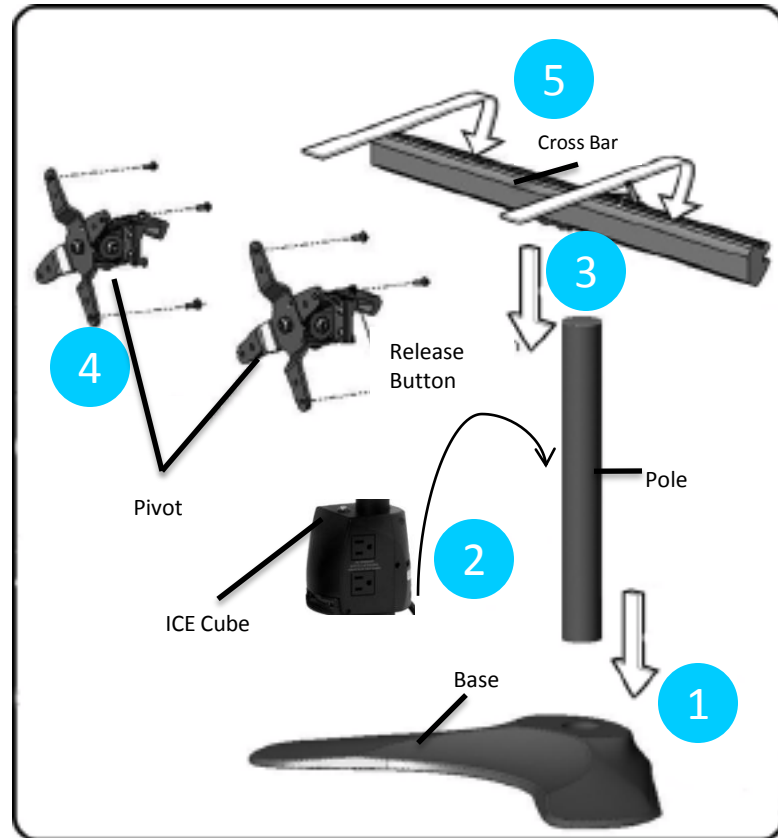
Installation:

1. Check to see that small hex set screw at rear of base is backed out enough to allow pole to seat down completely. Insert pole into base. Tighten set screw with small 3 mm Allen Key provided.



2. *Note: If you are using the ICE Cube, before sliding the ICE CUBE onto the pole, insert 2.5 mm Allen key provided into the holes on both sides. Unscrew the set screws enough to allow the ICE Cube to slide down the pole. Slide ICE Cube down pole and tighten set screws.*

3. Loosen ratchet type handle attached to the cross bar (ratchet handle must be on the right side of the pole). Slide clamp and assembly over pole to your desired height and tighten handle making sure that the groove in the cross bar is facing upwards.



4. Attach quick release pivots to back of each monitor with screws provided. Be sure that silver release button is facing toward the top of the monitor.

5. Place each monitor on the horizontal bar by tipping back approximately 45 degrees and then down until the silver release button engages groove and clicks down into place.

To adjust monitors:

Left/Right and Up/Down: Grasp monitor with both hands and adjust to desired position. *Note: pivots may be tight at first, but with the weight of the monitor, the screen will tilt up, down, left, and right.*

To tension the vertical adjustment to the weight of monitor: Tighten the 5mm bolt on the right side of the pivot with the Allen key provided.

To remove the monitors from the extrusions: Take the weight from the monitor with one hand on the bottom and tip it back slightly while using the other hand to lift the top of the silver release button. Lift up and back and this will release the monitor from the stand.