

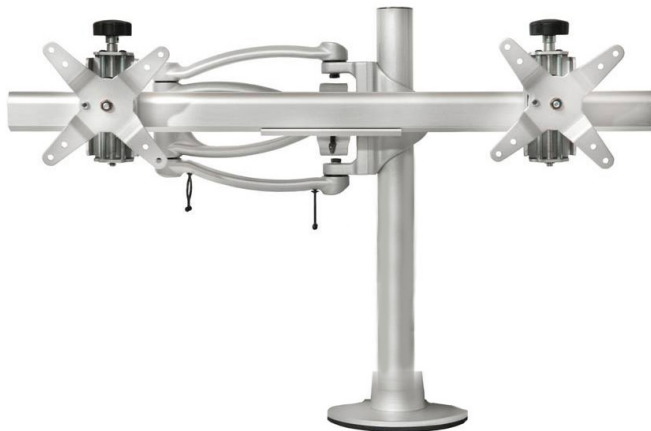
# 200 SERIES

## 200 Series Articulating Monitor Arms



*The Ergotech 200 Series Articulating Arm is an easy, quick and cost effective solution for mounting one to four 27" monitors. Allowing you to expand and convert from one to four monitors, with NO TOOLS needed!*

*The 200 Series Articulating Arm allows for customized monitor positioning. Easily slide the monitors up or down on the pole to meet your height requirements. Use the patented Quick Release Pivots to tilt the monitors left and right, up and down. Rotate between both portrait and landscape views.*



### **PRODUCT FEATURES:**

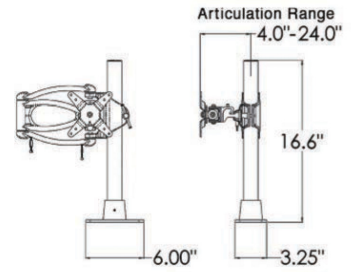
- Mounts 1 - 2 monitors quickly
- Cost effective solution / tool-less design
- Includes patented Quick Release Pivots
- Easy install
- Includes cable management
- Pivots 20° up / 10° down for each monitor
- 75mm & 100mm VESA compatible
- Warranty: Lifetime
- Color Options: Black or Silver
- Single & Dual models available
- 16" or 28" Vertical Poles available

## 200 Series Dimensions

### Single Arm

200-C16-B01-AP / 200-C16-S01-AP  
 200-G16-B01-AP / 200-G16-S01-AP  
 200-F16-B01-AP / 200-F16-S01-AP  
 200-S16-B01-AP / 200-S16-S01-AP

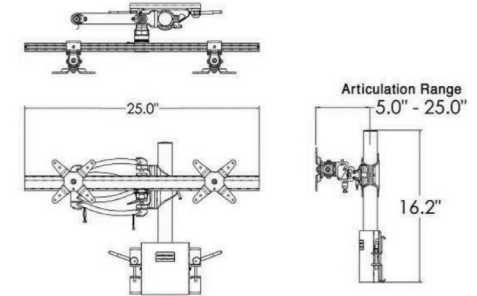
- Includes 16" pole
- Available in silver (S) or black (B)



### Dual Horizontal Arm

200-C16-B02-AP / 200-C16-S02-AP  
 200-G16-B02-AP / 200-G16-S02-AP  
 200-F16-B02-AP / 200-F16-S02-AP  
 200-S16-B02-AP / 200-S16-S02-AP

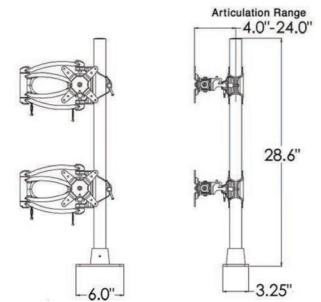
- Includes 16" pole
- Available in silver (S) or black (B)



### Dual Vertical Arm

200-C28-B11-AP / 200-C28-S11-AP  
 200-G28-B11-AP / 200-G28-S11-AP  
 200-S28-B11-AP / 200-S28-S11-AP

- Includes 28" pole
- Available in silver (S) or black (B)



## Mounting Options



Clamp (C)



Flush (F)



Grommet (G)



Slat Wall (S)