

320 SERIES

Articulating Monitor Arms for PC & iMac®

320-C14-C012



The 320 Series is an affordable articulating arm that delivers a powerful solution to your mounting needs! One of the most unique features of the 320 Series arm is the fact that it comes with both a desk clamp and grommet mount all in one, allowing it to convert based on your workspace setup.

Easily adjust the monitor height and position with just a fingertip. The built-in spring tension gauge enables monitor sizes up to 24" and weights ranging from 0-19.8lbs. Polished aluminum construction offers greater durability and enhanced aesthetics.

320-C14-C024



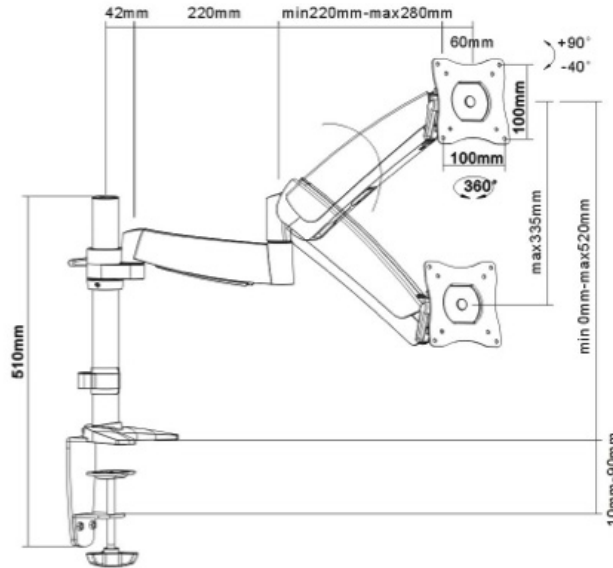
PRODUCT FEATURES:

- Product Includes: 14" pole + desk clamp and grommet mounting hardware
- Monitor Weight Capacity: 0lbs - 19.8lbs
- VESA Compatibility: 75mm & 100mm
- Height Adjustment: 14"
- 320-C14-C011 Link Extension: 14"
- 320-C14-C012 Link Extension: 23"
- 320-C14-C024 Link Extension: 23"
- Tilt: +90° / -40°
- Pan: 180°
- Rotation: 360°
- Max Desk Thickness: 3.5"
- Warranty: 5 years
- Colors: Silver

320 SERIES

320 Series Dimensions

320-C14-C012



320-C14-C024

