

7FLEX[®] HD

For PC and iMac[®]



The 7Flex[®] LCD monitor arm suspends your flat panel monitor above the work surface. Move the monitor precisely where you need it, and simply move it out of the way when not in use.

PRODUCT FEATURES:

- Product Includes: FLEXmount[®] with six mounting options (see page 2) & VESA adapter plate (75X75 and 100X100)
- Compatible with all VESA displays
- Offers 16" of dynamic one-touch height adjustment
- Full extension range of 24"
- Slim profile design folds up flat to occupy just 3.5" of space
- Monitor Weight Capacity: 12lbs - 31lbs
- Tilt: UP 200° / Pan: 180°
- Rotation: 360° at three joints
- Integrated cable management system hides cables and keeps your work surface free of clutter
- Available Colors: Black



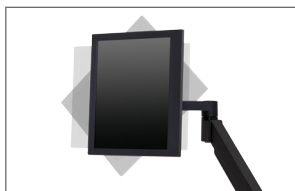
Simply grab the monitor and place where you want it



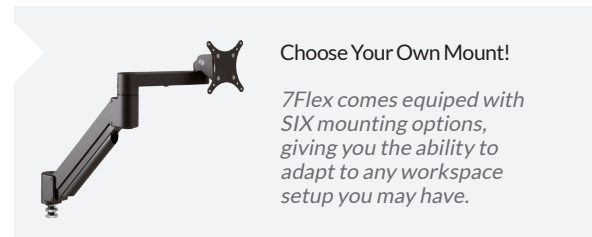
Rotates 360° at three joints



Folds flat to save valuable desk space



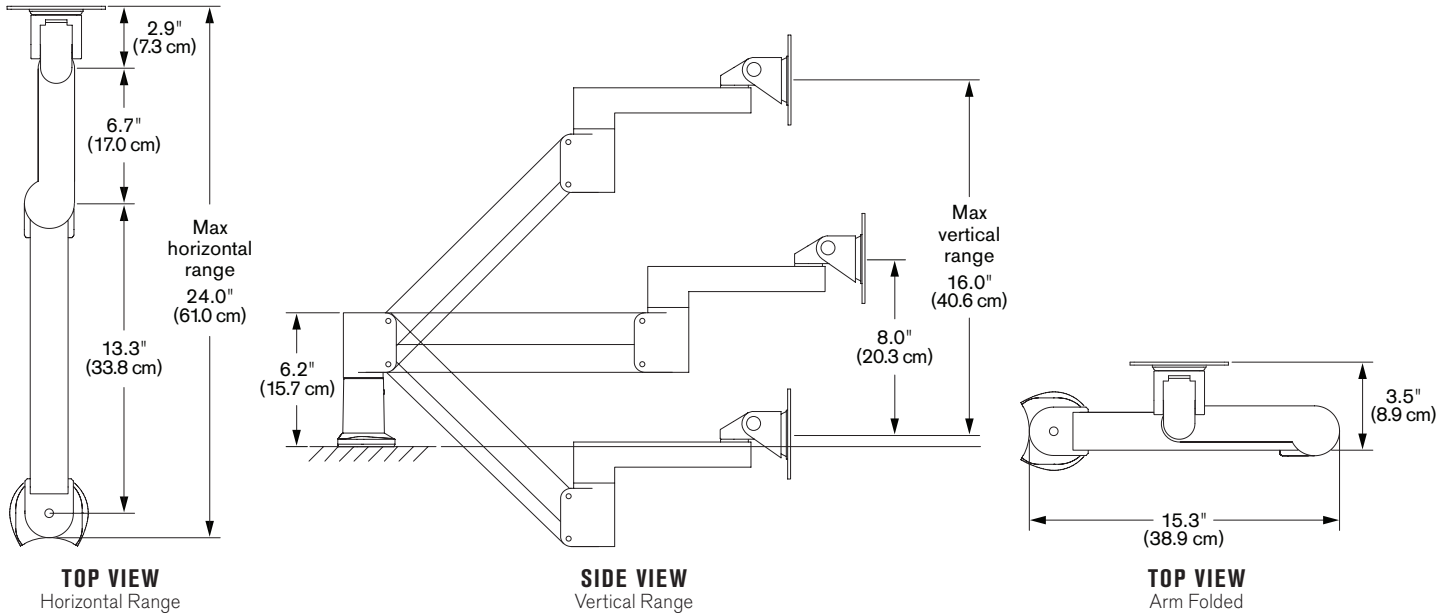
Easily allows you to switch between portrait & landscape



Choose Your Own Mount!

7Flex comes equipped with SIX mounting options, giving you the ability to adapt to any workspace setup you may have.

7 FLEX[®] HD



CAPABILITIES

Vertical range	+/- 8" (20.3 cm) from horizontal
Horizontal range	24" (61.0 cm)
Rotation	360 degrees at three joints
Monitor tilt	200 degrees
Monitor pivot	Landscape to portrait
Monitor compatibility	VESA [®] 75mm and 100mm
Cable management	Cables are clipped beneath arm
Mounting options	FLEXmount [®] , Wall, Thru-Desk
Monitor weight/model number	12 - 31 lbs (5.4 - 14.1 kg) / 7FLEX-HD-ETUS-104

