

# FREEDOM DESK 30"

## Height-Adjustable Standing Desk



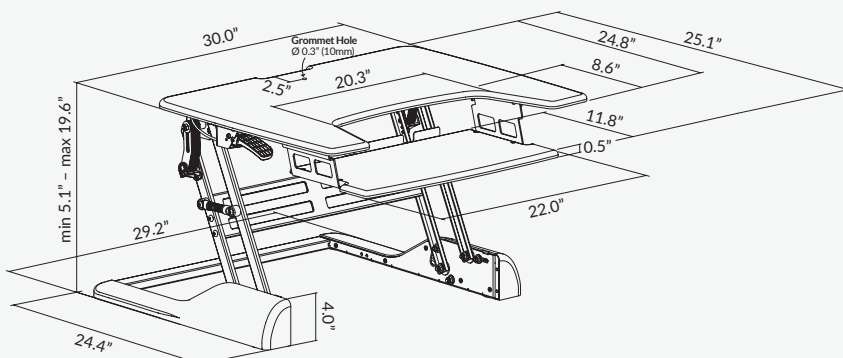
Available in white

*The Freedom Desk 30" is an ultra easy sit-stand solution designed with an upper display surface and lower keyboard and mouse desk. It features spring-assisted lift mechanism that lets you switch easily between sitting and standing in just a few seconds. It also holds up to 35 lbs, while staying steady and solid at any height.*

*It ships fully assembled and ready-to-use – just put it right on top of your current desk, and you're ready to work.*

### PRODUCT FEATURES:

- Lower work surface provides a comfortable and functional workspace
- Dual-handle design puts effortless operation at your fingertips
- Spring-assisted lifting mechanism allows you to raise and lower easily in just a few seconds
- Self-adjusting lift strength adapts to the weight of the monitors for smooth and easy movement
- Extremely solid base ensures a sturdy and stable work surface at any height
- Ships fully assembled, no installation required
- Upper work surface has a 10mm grommet hole for adding a monitor arm
- Warranty: 5 years
- Colors: Black, White



- Desktop Thickness: 0.5"
- Overall Dimensions: 30.0" wide x 25.1" deep x 5.1" - 19.6" high
- Desktop Dimensions: 30.0" wide x 25.1" deep
- Desktop Height Adjustment Range: 5.1" to 19.6"
- Weight Capacity: Up to 35 lbs