

FREEDOM DESK 36"

BLACK

Height-Adjustable Standing Desk



FDM-DESK-B

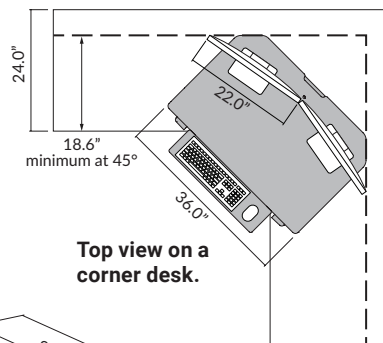


*shown with 7flex-dual-etus-104

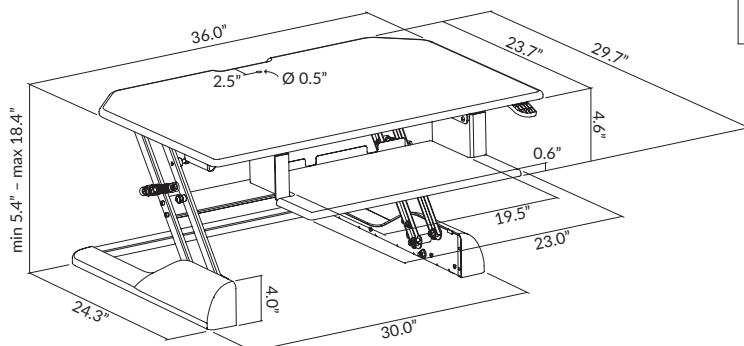


*shown with two 24" monitors

New & Improved Design!



Top view on a corner desk.



The Freedom Desk 36" is an ultra easy sit-stand solution designed with an upper display surface and lower keyboard and mouse desk. It features gas-assisted lift mechanism that lets you switch easily between sitting and standing in just a few seconds. It also holds up to 35 lbs, while staying steady and solid at any height.

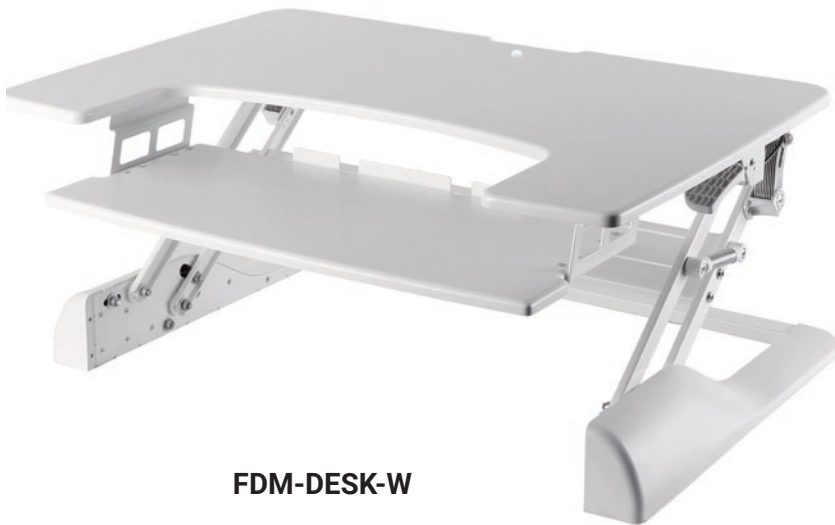
It ships fully assembled and ready-to-use – just put it right on top of your current desk, and you're ready to work.

PRODUCT FEATURES:

- Lower work surface provides a comfortable and functional workspace
- Single-handle design puts effortless operation at your fingertips
- Gas-assisted lifting mechanism allows you to raise and lower easily in just a few seconds
- Contoured corners allows desk to fit into any environment whether a corner desk or straight desk
- Extremely solid base ensures a sturdy and stable work surface at any height
- Ships fully assembled, no installation required
- Upper work surface has a 0.5" grommet hole for adding a monitor arm and a reinforced edge to add a clamp mount monitor arm
- Warranty: 5 years
- Colors: Black
- **Desktop Thickness:** 0.6"
- **Overall Dimensions:** 36.0" wide x 29.7" deep x 5.4" - 18.4" high
- **Desktop Dimensions:** 36.0" wide x 23.7" deep
- **Desktop Height Adjustment Range:** 5.4" to 18.4"
- **Weight Capacity:** Up to 35 lbs

FREEDOM DESK 36" WHITE

Height-Adjustable Standing Desk

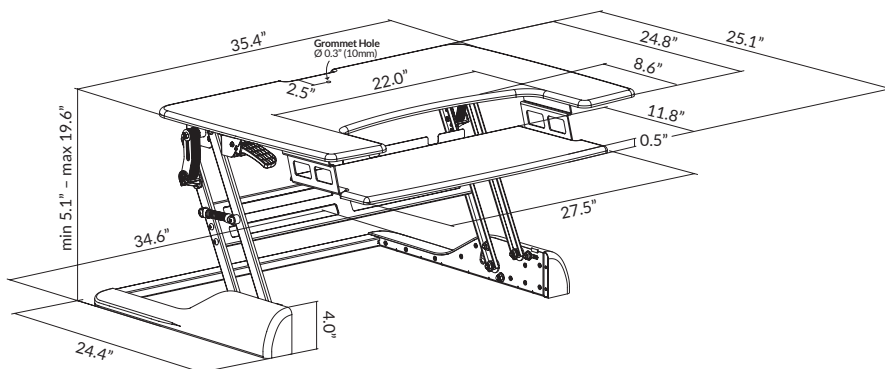


FDM-DESK-W



PRODUCT FEATURES:

- Lower work surface provides a comfortable and functional workspace
- Dual-handle design puts effortless operation at your fingertips
- Spring-assisted lifting mechanism allows you to raise and lower easily in just a few seconds
- Self-adjusting lift strength adapts to the weight of the monitors for smooth and easy movement
- Extremely solid base ensures a sturdy and stable work surface at any height
- Ships fully assembled, no installation required
- Upper work surface has a 10mm grommet hole for adding a monitor arm
- Warranty: 5 years
- Colors: White



- Desktop Thickness: 0.5"
- Overall Dimensions: 35.4" wide x 25.1" deep x 5.1" - 19.6" high
- Desktop Dimensions: 35.4" wide x 25.1" deep
- Desktop Height Adjustment Range: 5.1" to 19.6"
- Weight Capacity: Up to 35 lbs