

# FREEDOM DESK

## TAA Compliant

### Height-Adjustable Standing Desk



*The Freedom Desk TAA is a simple to use sit-stand solution designed with an upper display surface as well as a lower keyboard and mouse desk. It features a gas-assisted lift mechanism that lets you switch easily between sitting and standing in just a few seconds. It also holds up to 35 lbs, while staying steady and sturdy at any height.*

*Ideal for large government installs! Freedom Desk ships fully assembled and ready-to-use – just take it out of the box, place it on top of your current desk, and you're ready to work!*

#### PRODUCT FEATURES:

- TAA Compliant
- Lower work surface provides a comfortable and functional workspace
- Single-handle design puts effortless operation at your fingertips
- Gas-assisted lifting mechanism allows you to raise and lower easily in just a few seconds
- Contoured corners allows desk to fit into any environment whether a corner desk or straight desk
- Extremely solid base ensures a sturdy and stable work surface at any height
- Ships fully assembled, no installation required
- Upper work surface has a 0.5" grommet hole for adding a monitor arm and a reinforced edge to add a clamp mount monitor arm
- Warranty: 5 years
- Colors: Black

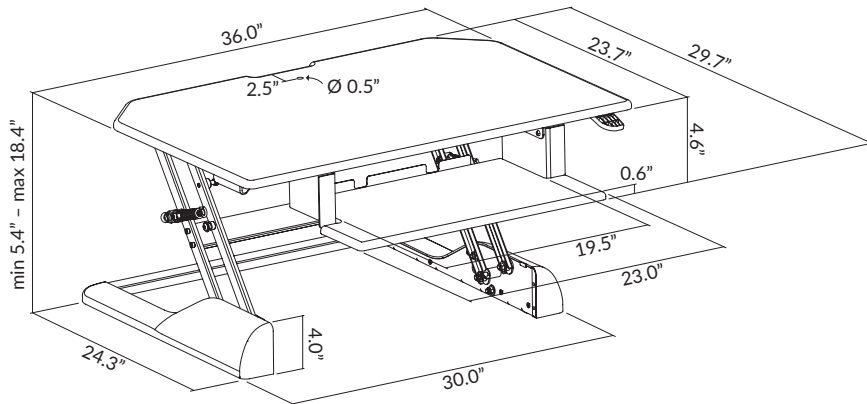


Shown with (2) 24", 16:9 monitors

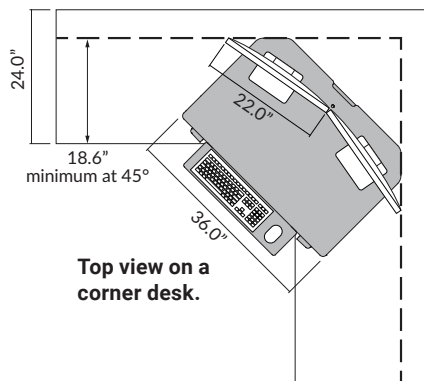


# Freedom Desk Dimensions

## FDM-DESK-B-US



- **Desktop Thickness:** 0.6"
- **Overall Dimensions:** 36.0" wide x 29.7" deep x 5.4" - 18.4" high
- **Desktop Dimensions:** 36.0" wide x 23.7" deep
- **Desktop Height Adjustment Range:** 5.4" to 18.4"
- **Weight Capacity:** Up to 35 lbs



## ACCESSORIES



Freedom Mat™



7Flex® Monitor Arm



7Flex® Dual Monitor Arm