

# FREEDOM E-DESK

ELECTRIC

## Electric Height Adjustable Desktop Converter



FDM-E-DESK

*The Freedom E-Desk is an electric, ultra easy sit-stand solution designed with an upper display surface and a spacious lower keyboard and mouse desk. With the push of a button, you can switch easily between sitting and standing in just a few seconds.*

*Ships fully assembled and ready-to-use – just put it right on top of your current desk, and you're ready to work.*

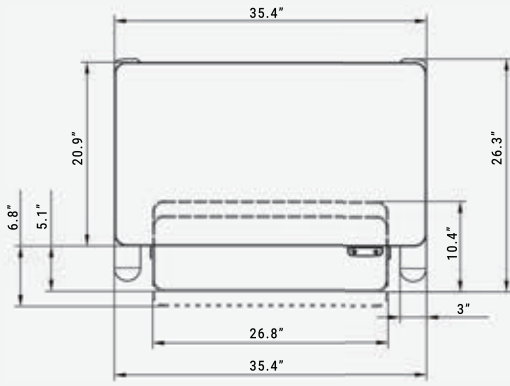
### FEATURES:

- TAA Compliant
- Accommodates up to two 24" monitors
- Keyboard tray can be adjusted into slotted positions
- Effortless electric height adjustment with a press of a button
- Converts any tabletop into a healthy sit-stand workstation in minutes
- Ships fully assembled
- Warranty: 10 years (motor - 3 years)
- Colors: Black

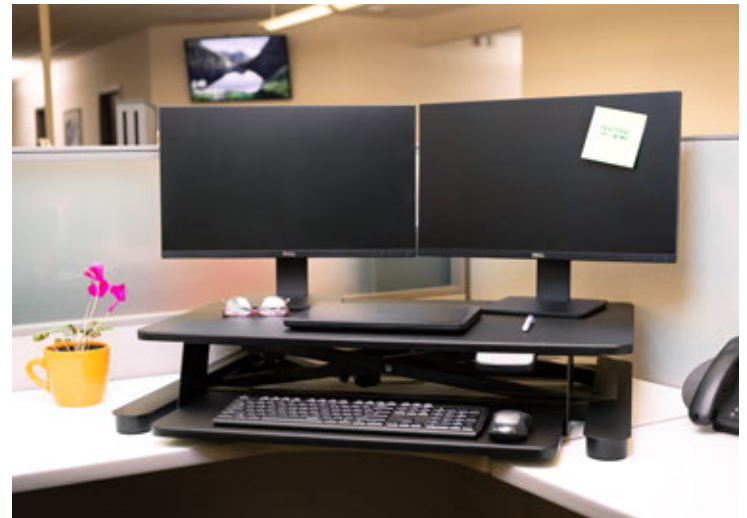
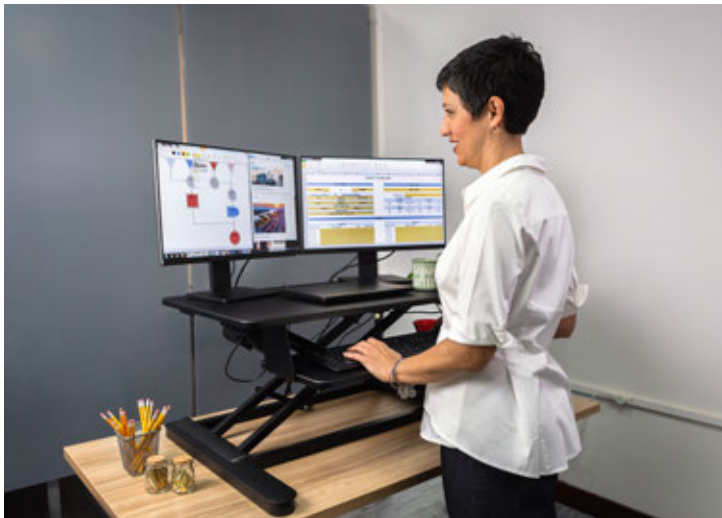
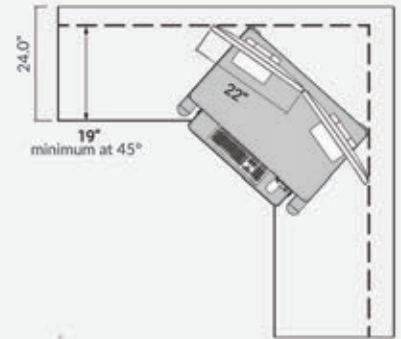


Shown with two 24" monitors

# Freedom E Desk - 36" Specs



- Desktop Thickness:** 0.6"
- Desktop Dimensions:** 35.4" wide x 20.9" deep
- Keyboard Tray Dimensions:** 26.8" wide x 10.4" deep
- Desktop Height Adjustment Range:** 6.3" to 23.45"
- Max Total Load Weight Capacity:** Up to 99.2 lbs



## Accessories



**Freedom Arm Single**  
FDM-PC-S01/G01



**Freedom Arm Dual**  
FDM-PC-S02/G02



**Freedom Mat**  
FDM-MAT-B



**Freedom Thin Client Mount**  
FDM-TCM-B  
*\*For use with Freedom Arms*