

FREEDOM E-STAND

SINGLE

Sit-Stand Desk Workstation



FDM-E-STAND-1

The Freedom E-Stand effortlessly transforms any surface into a personalized electric sit-stand desk, enabling you to achieve long lasting health benefits. With the push of a button, worksurface and monitors lift to the proper height for unsurpassed ergonomic comfort.

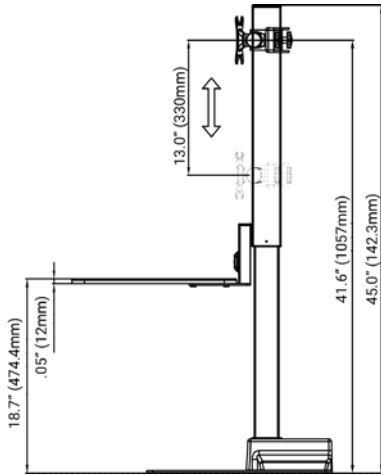
The Freedom E-Stand gives you the freedom to work the way you choose - sitting or standing.

PRODUCT FEATURES:

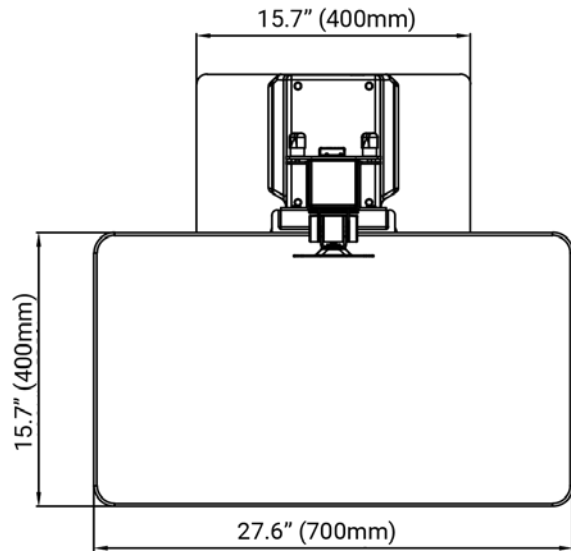
- TAA Compliant
- Detachable VESA bracket makes the installation much easier by attaching to your monitors independently and then sliding back onto the arm
- Wide range of monitor movement enables swivel, rotation and tilt to match different viewing angle needs
- Height adjustment on the vertical column promotes ergonomic positioning and sit-stand work routine to counteract the harmful effects of increasingly sedentary work style
- Electric push button height adjustment
- Cable management keeps cables organized for a clean, clutter-free look
- Max Total Load Weight Capacity: 88.2 lbs
- Desk Height Adjustment Range: 17.7"
- Monitor Size: Up to 30" Monitor
- Monitor Weight: Up to 24.2 lbs
- Screen Height Adjustable Range: 13"
- Monitor Tilt Angle: +15° / -15° Monitor Rotation: 360°
- VESA Compatibility: 75mm & 100mm
- Warranty: 5 years (motor - 2 years)
- Color: Black

Freedom E StandTriple Specs

SIDE VIEW



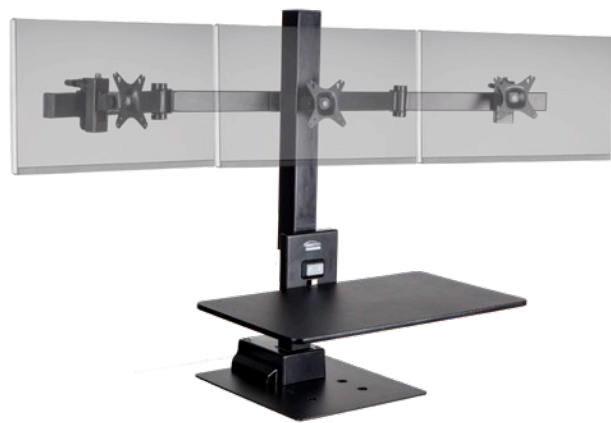
TOP DOWN VIEW



Other Options



FDM-E-STAND-2



FDM-E-STAND-3