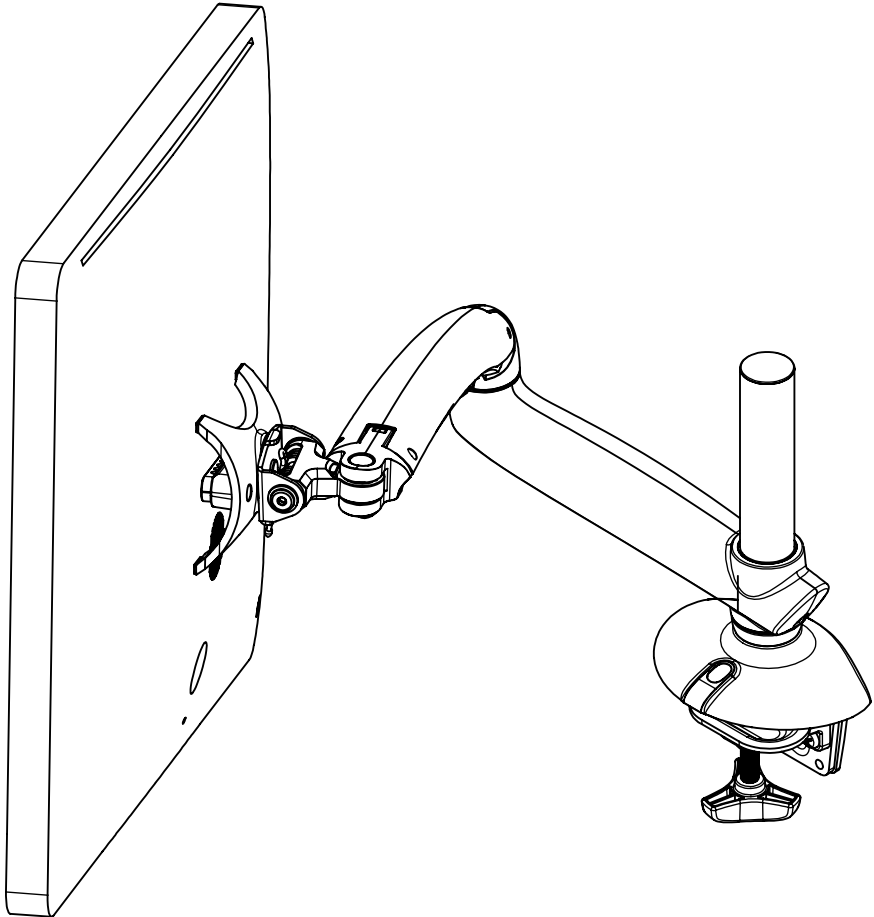


Freedom Arm™ Instructions

FDM-MAC-S01

iMac® Models 2007-2011

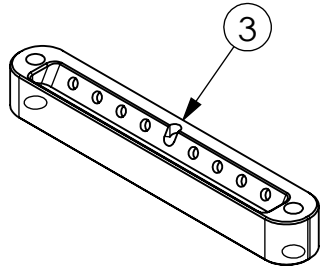
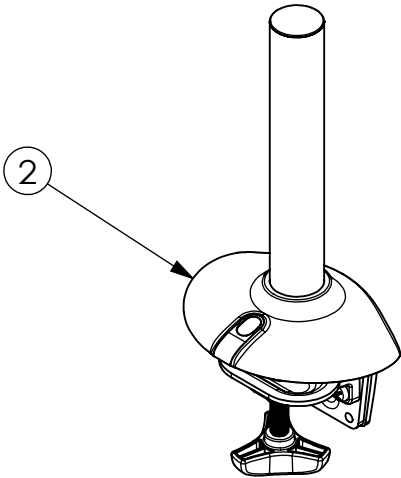
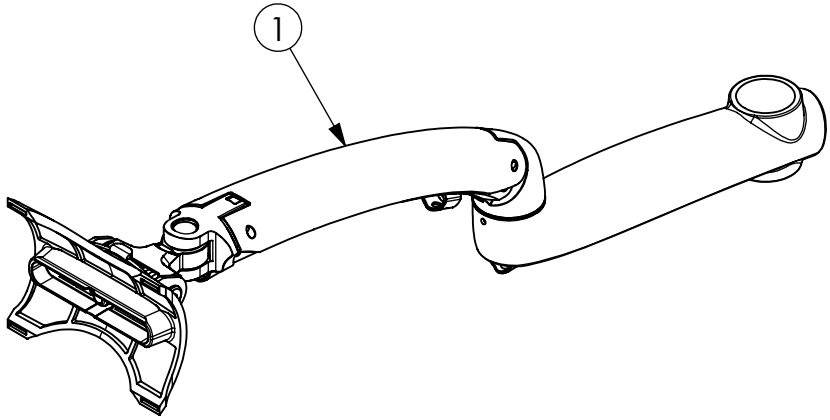


Ergotech Group, LLC.
100 Kuebler Road
Easton, PA 18040

877-523-2767

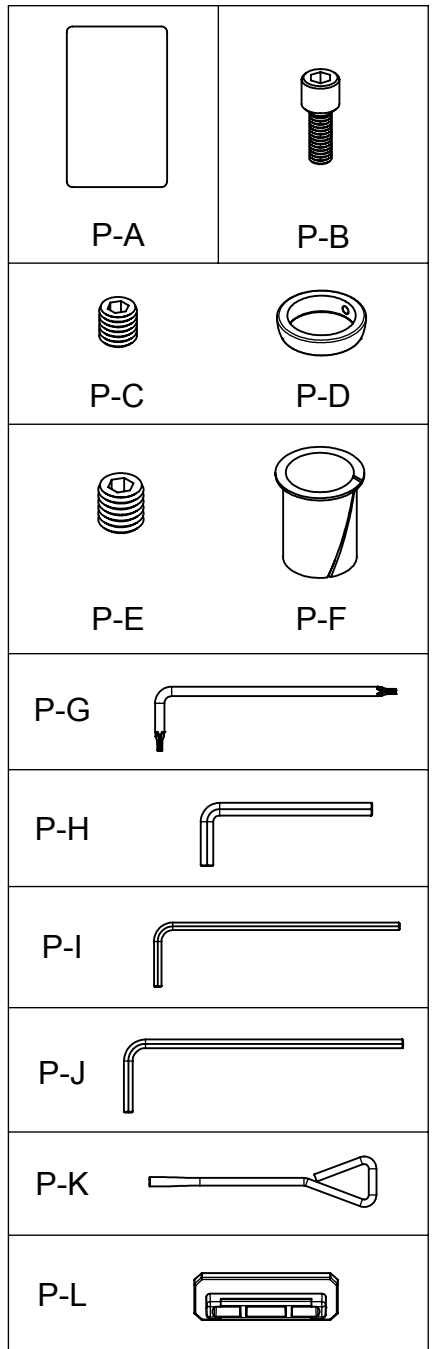
www.ergotechgroup.com

ERGOTECH
INNOVATIVE ERGONOMIC SOLUTIONS

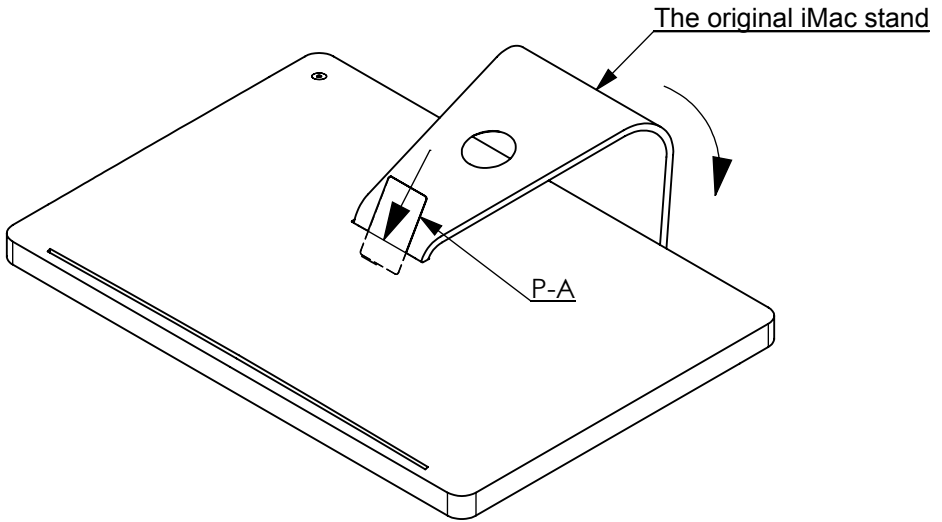


Contents vA		
Part #	Qty	Description
1	1	Arm Set
2	1	Desk Clamp Base
3	1	Mounting Plate

Product Kit vA		
Part #	Qty	Description
P-A	1	Access Card
P-B	2	Monitor Screw
P-C	1	M5*5mm Socket Set Screw
P-D	1	Arm Support Block
P-E	1	M6*5mm Socket Set Screw
P-F	1	Adjustable Arm Axle Sleeve
P-G	1	Torx Tool
P-H	1	5mm Allen Wrench
P-I	1	2.5mm Allen Wrench
P-J	1	3mm Allen Wrench
P-K	1	Adjustable Wrench
P-L	2	Plastic Pad

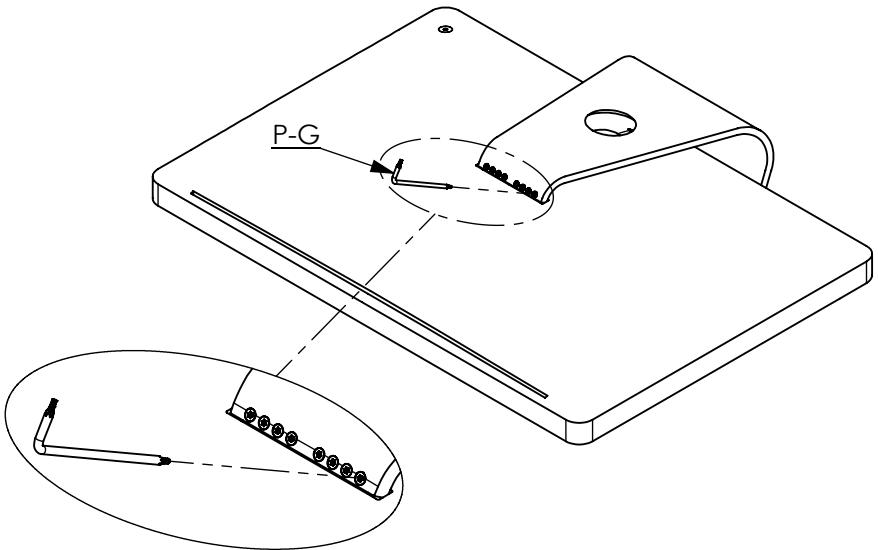


1



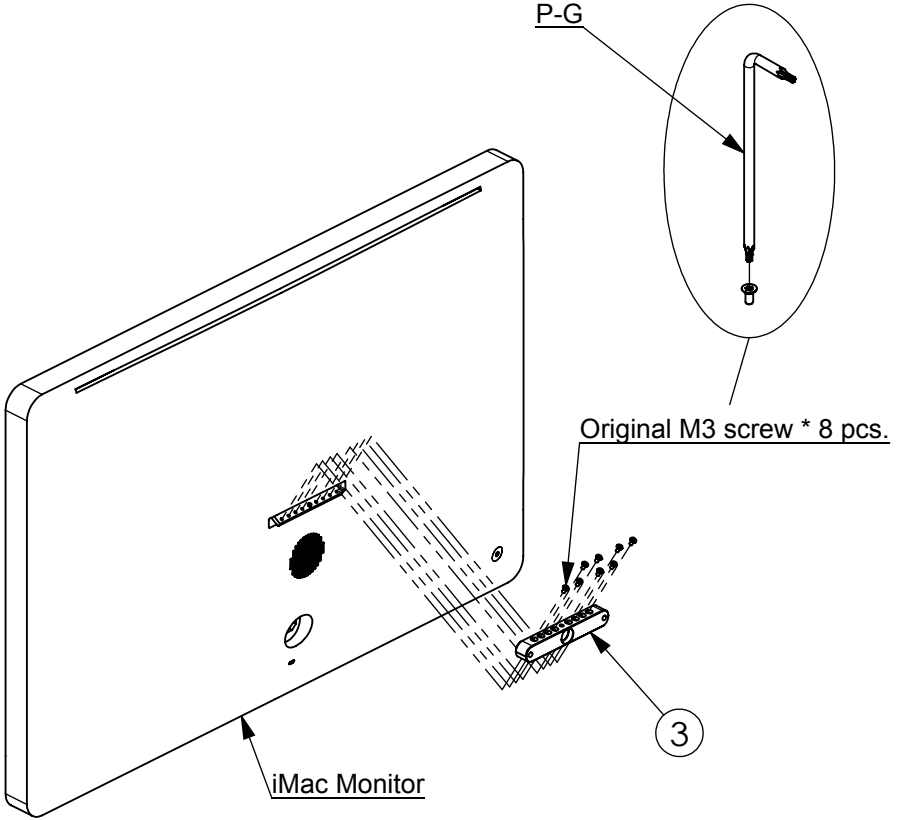
Lift the stand up to its highest point. Insert (P-A) at slight upward angle until you feel the latch. With the card in the slot, lower the stand until it is as far down as it can be (you will see screws).

2



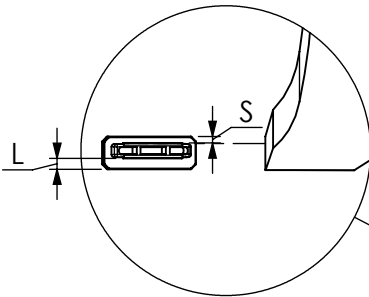
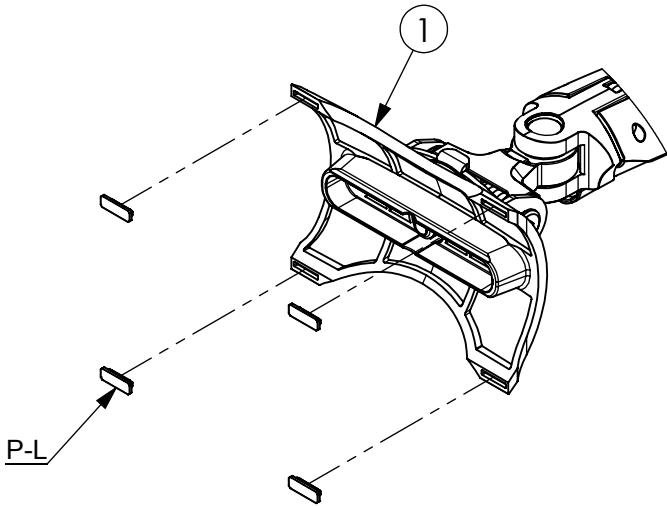
Separate the stand from iMac monitor and set the M3 screw 8 pcs aside carefully.

3

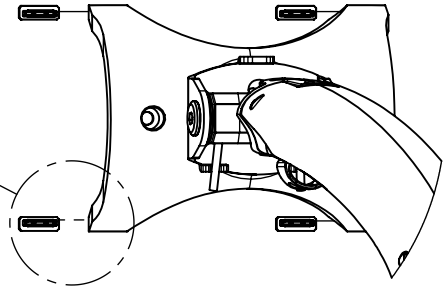


4

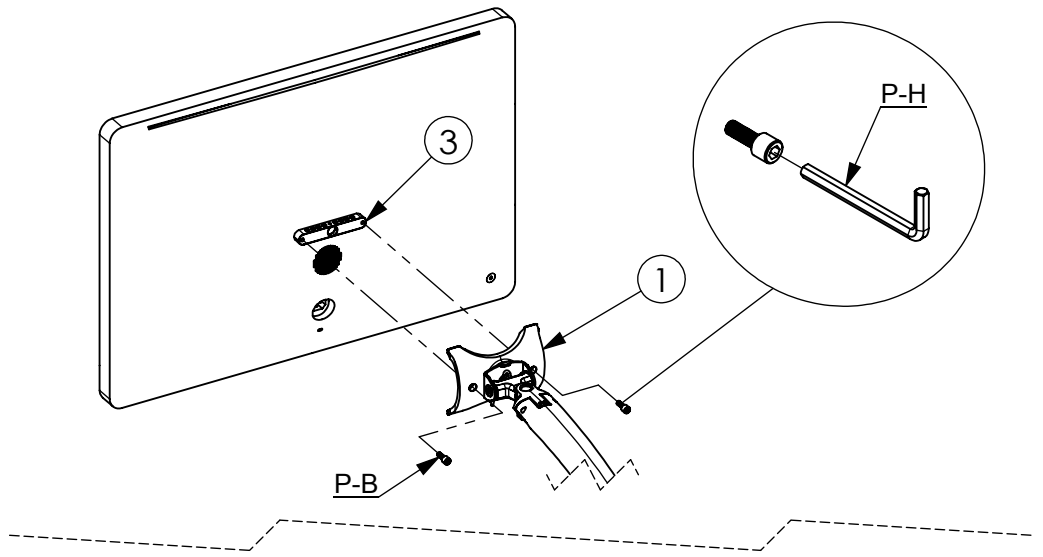
Check if the plastic pad is fell off, use spare kit (P-L) to attach.



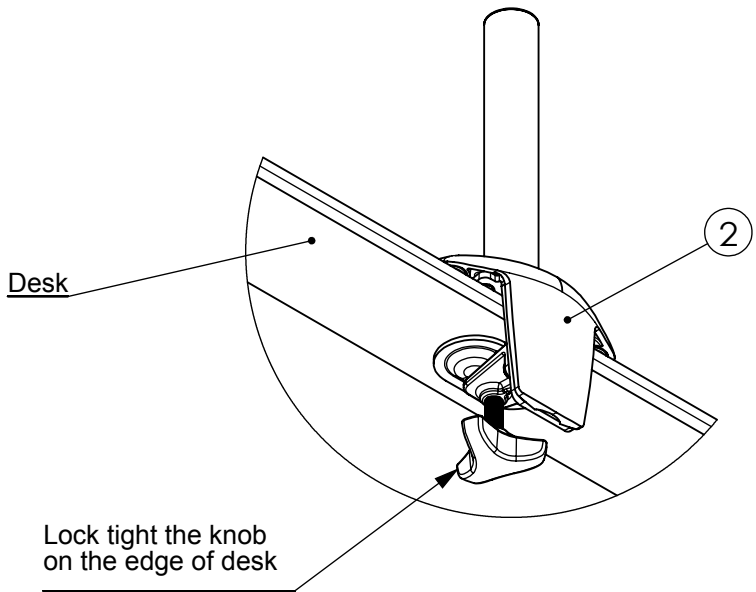
L toward outside



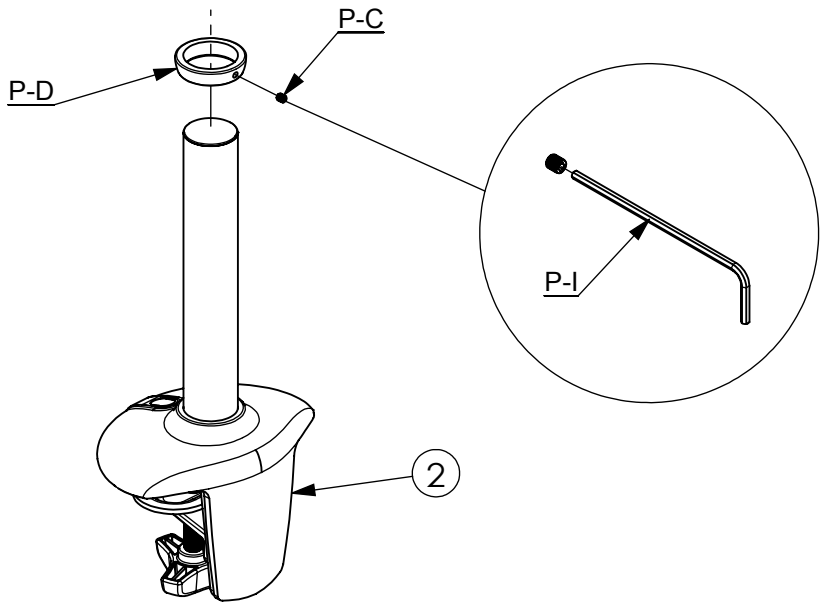
5



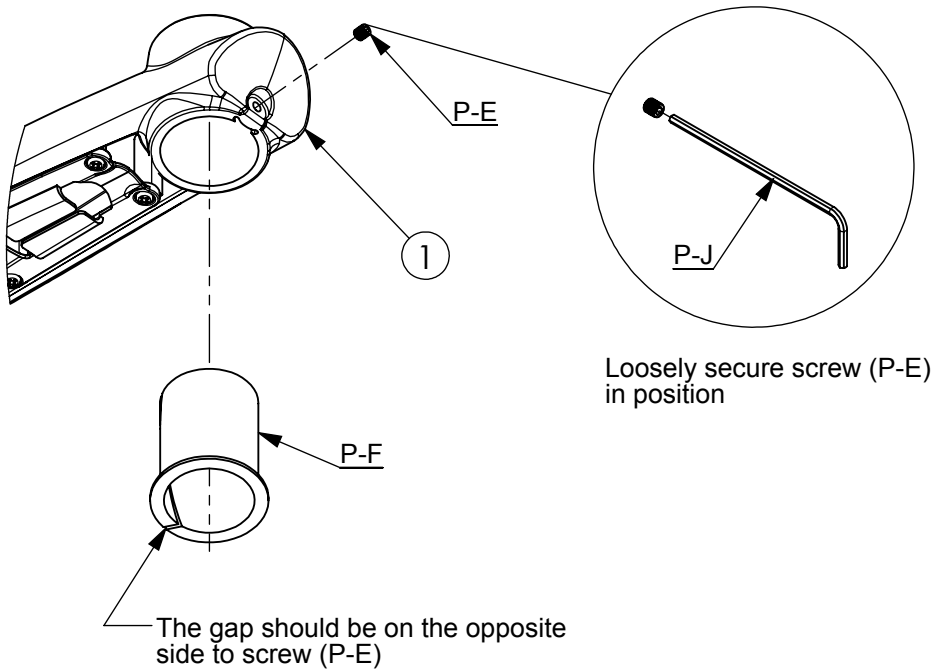
6



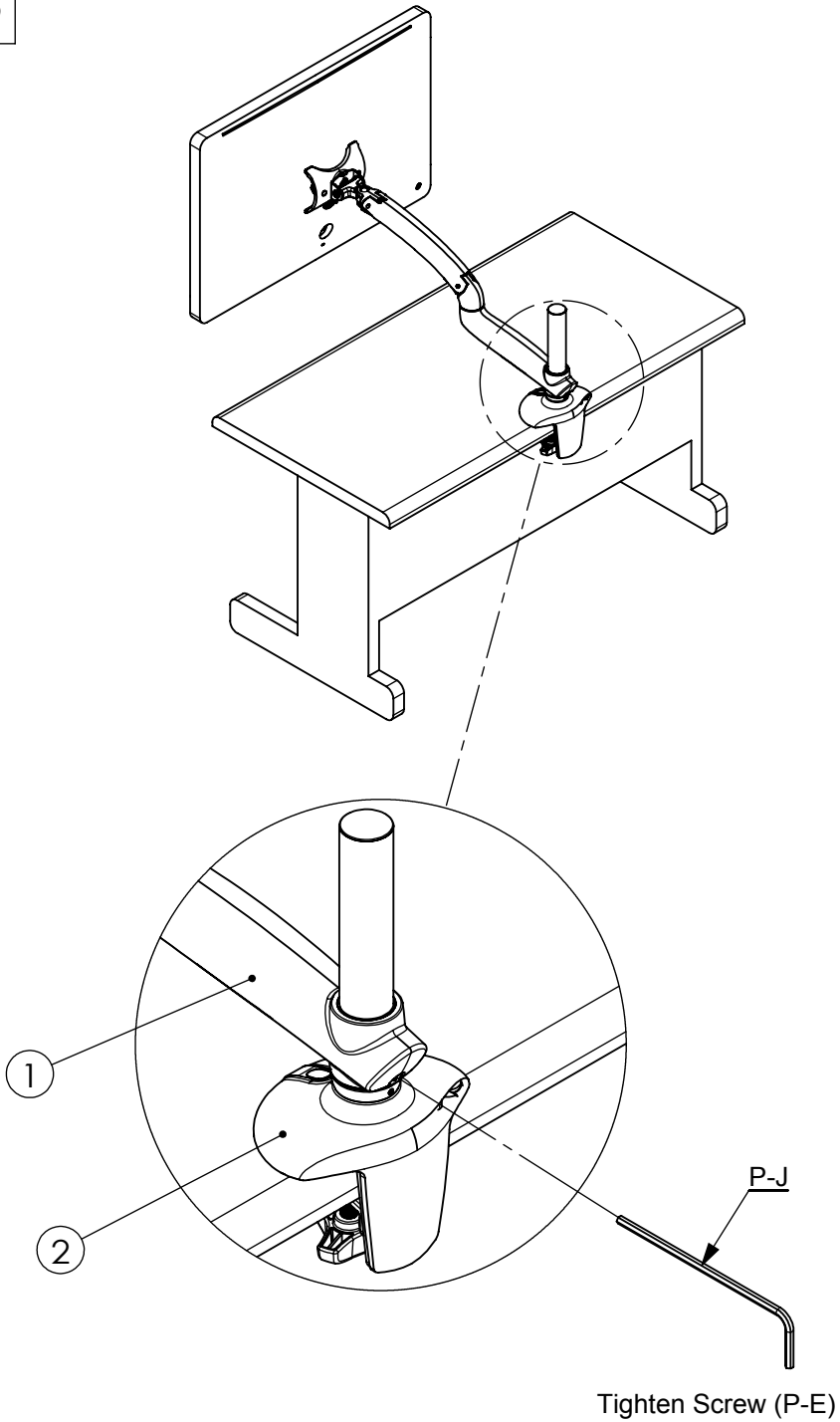
7



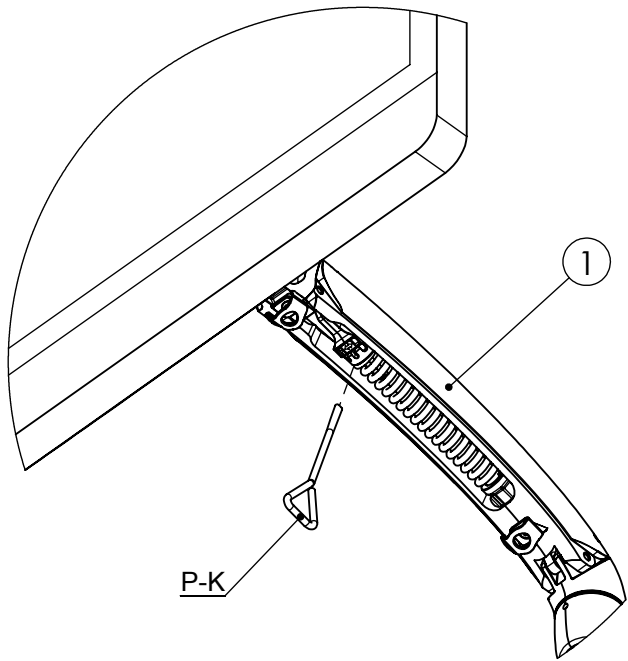
8



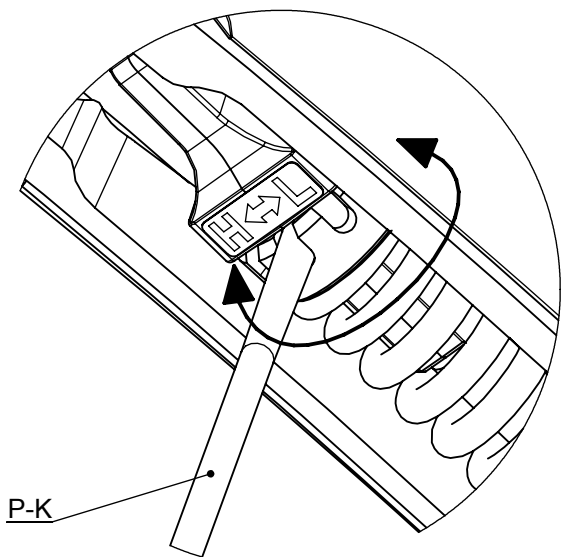
9



Tighthen Screw (P-E)



To adjust the tension of your mount.



PAGE LEFT BLANK INTENTIONALLY

Ergotech Group, LLC.
100 Clearbrook Road
Elmsford, NY 10523

877-523-2767

www.ergotechgroup.com



