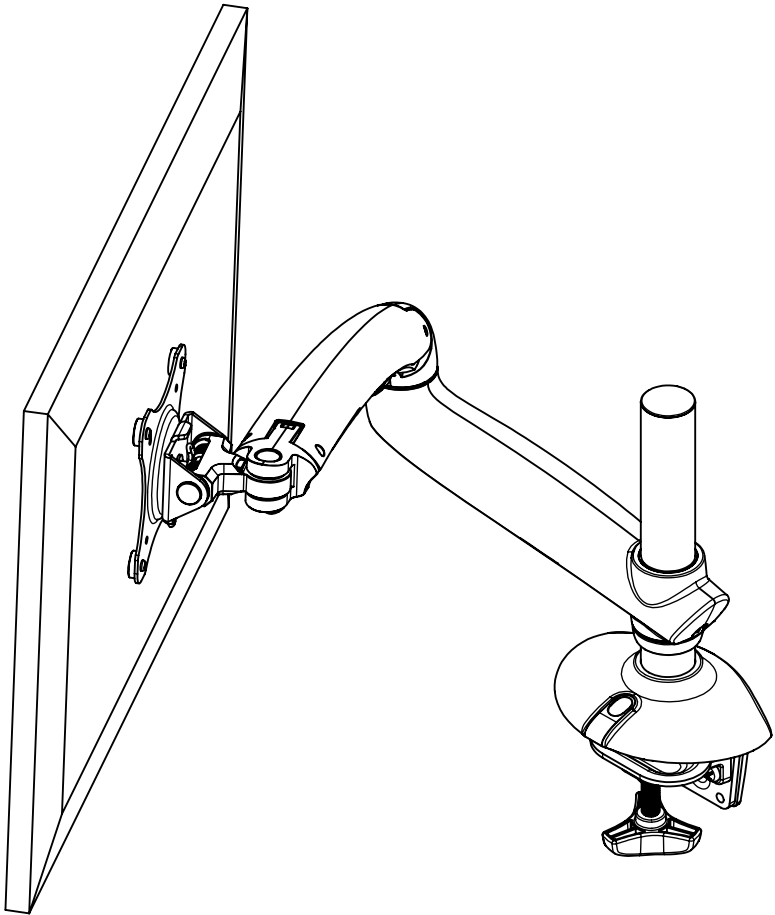


# Freedom Arm™ Instructions

## FDM-PC-S01/FDM-PC-G01

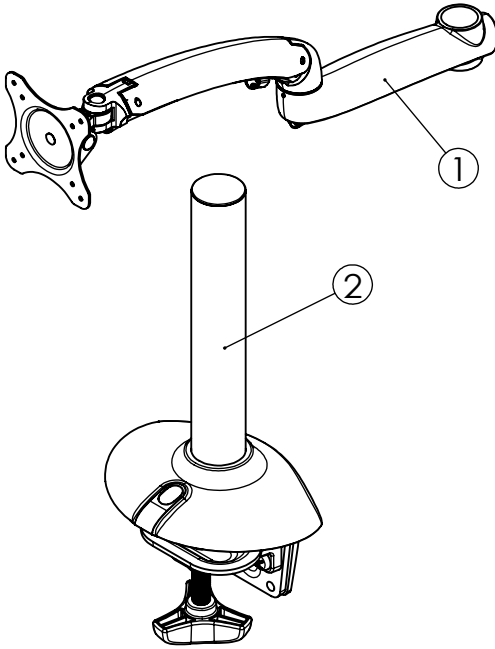


Ergotech Group, LLC.  
100 Clearbrook Road  
Elmsford, NY 10523

877-523-2767

[www.ergotechgroup.com](http://www.ergotechgroup.com)

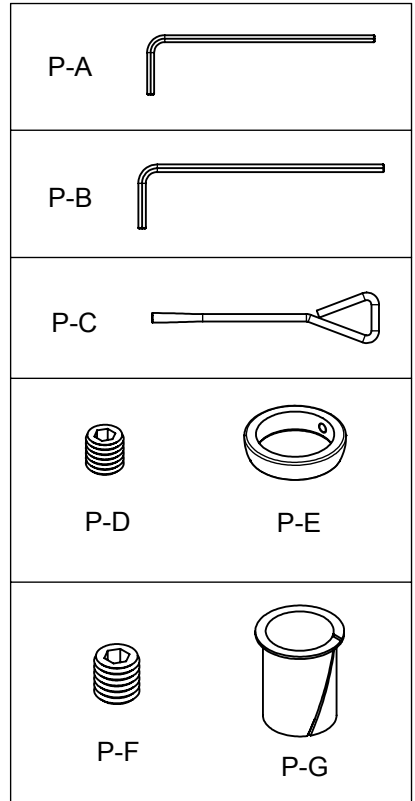
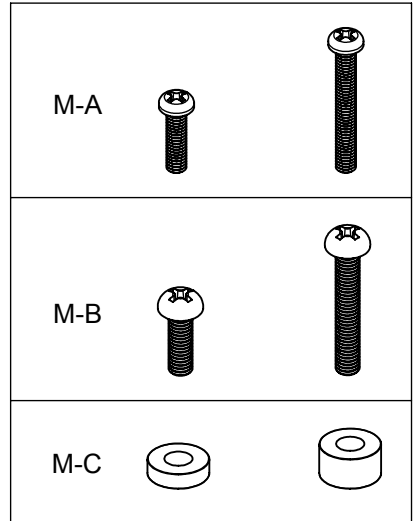




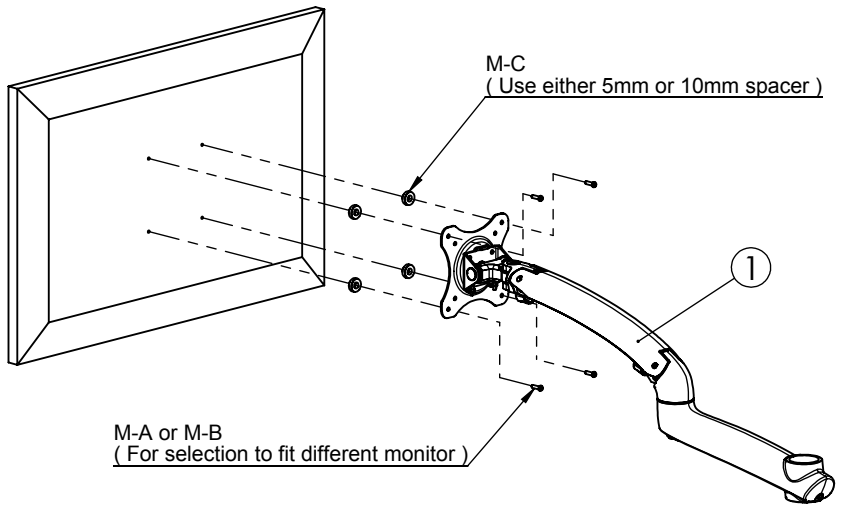
Contents vA		
Part #	Qty	Description
1	1	Arm Set
2	1	Desk Clamp Base

Monitor Kit vA		
Part #	Qty	Description
M-A	4	M4*15mm Philips Screw
	4	M4*30mm Philips Screw
M-B	4	M5*15mm Philips Screw
	4	M5*30mm Philips Screw
M-C	4	5mm Spacer
	4	10mm Spacer

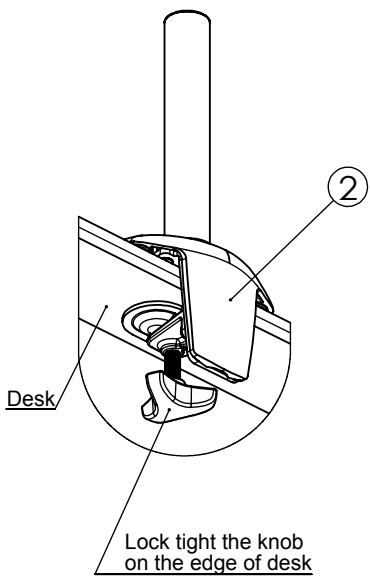
Product Kit vA		
Part #	Qty	Description
P-A	1	2.5mm Allen Wrench
P-B	1	3mm Allen Wrench
P-C	1	Adjustable Wrench
P-D	1	M5*5mm Socket Set Screw
P-E	1	Arm Support Block
P-F	1	M6*5mm Socket Set Screw
P-G	1	Adjustable Arm Axle Sleeve



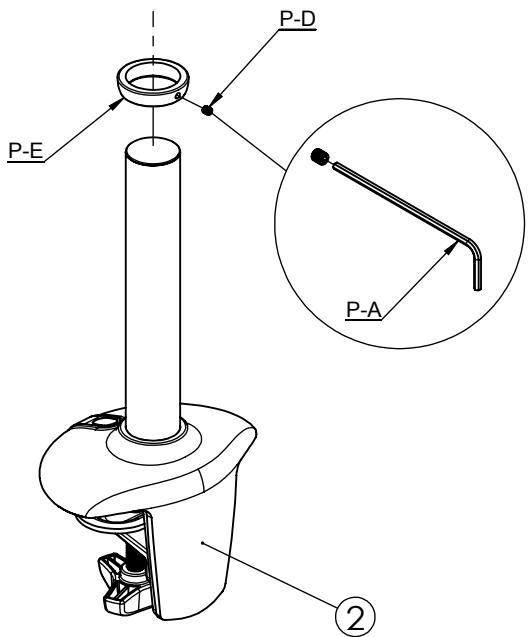
1



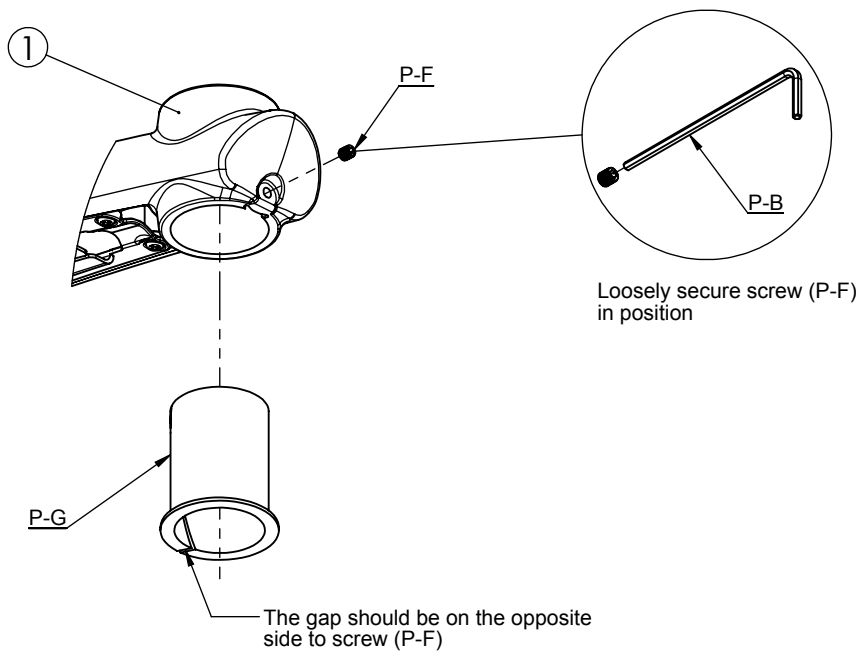
2



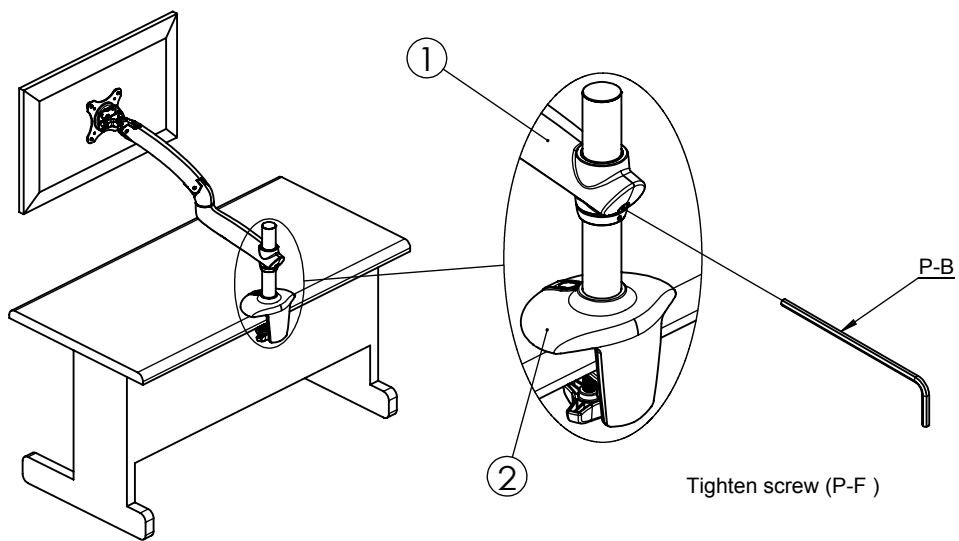
3



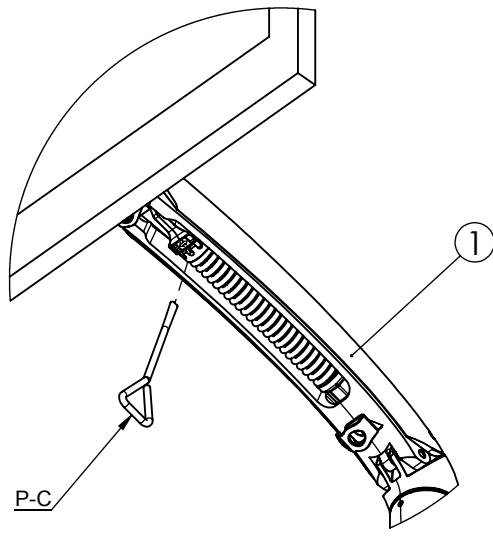
4



5



6



To adjust the tension of your mount.

