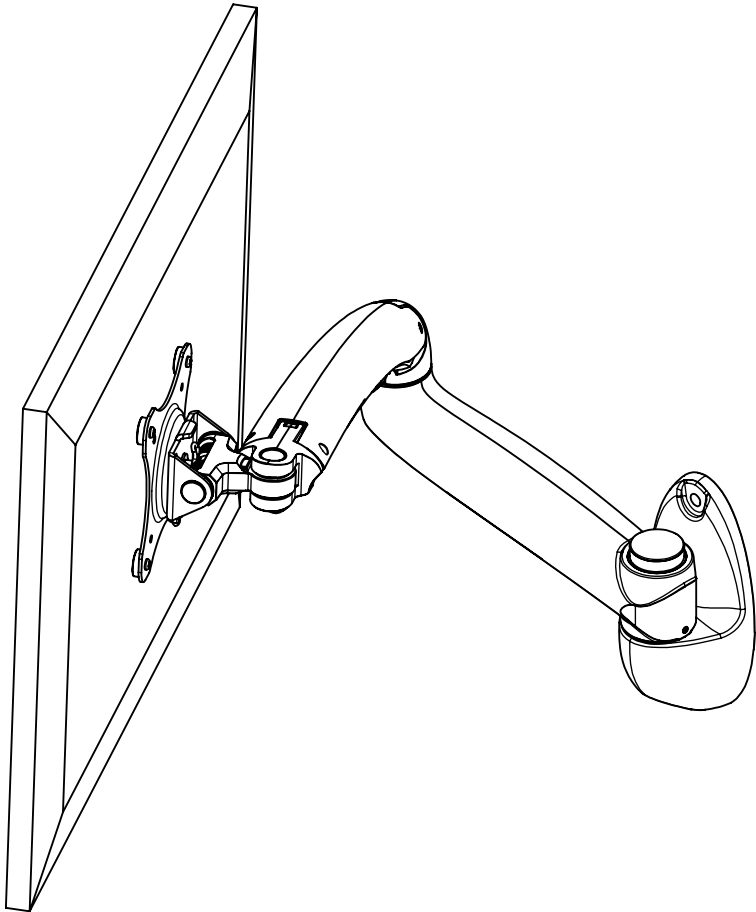


Freedom Arm™ Instructions

FDM-PC-S01-WM

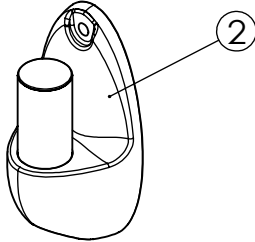
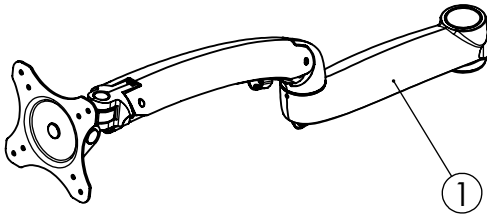


Ergotech Group, LLC.
100 Kuebler Road
Easton, PA 18040

877-523-2767

www.ergotechgroup.com

**ERGOTECH**
INNOVATIVE ERGONOMIC SOLUTIONS

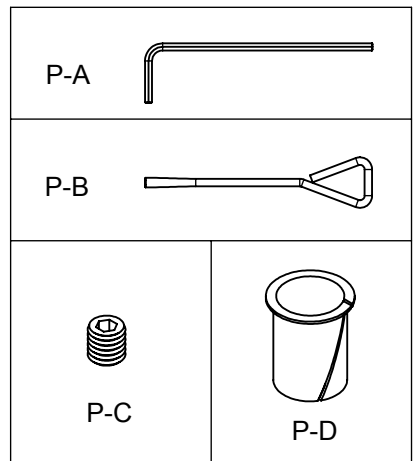
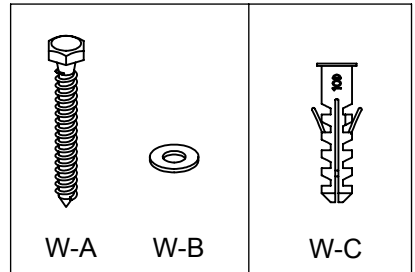
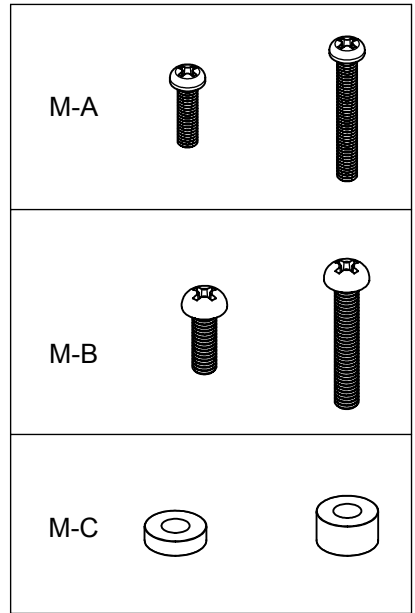


Contents vA		
Part #	Qty	Description
1	1	Arm Set
2	1	Wall Mount Set

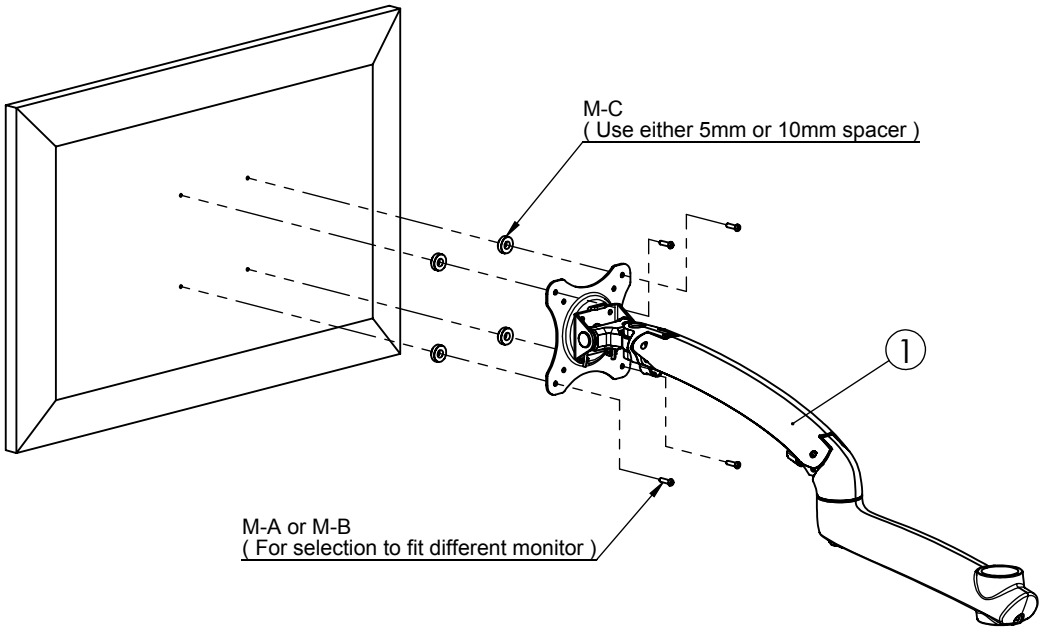
Monitor Kit vA		
Part #	Qty	Description
M-A	4	M4*15mm Philips Screw
	4	M4*30mm Philips Screw
M-B	4	M5*15mm Philips Screw
	4	M5*30mm Philips Screw
M-C	4	5mm Spacer
	4	10mm Spacer

Wall Kit vA		
Part #	Qty	Description
W-A	2	Lag Bolts (8mmx65mm)
W-B	2	Steel Washer
W-C	2	Wall Anchor (10mm OD x 8mm ID)

Product Kit vA		
Part #	Qty	Description
P-A	1	3mm Allen Wrench
P-B	1	Adjustable Wrench
P-C	1	M6*5mm Socket Set Screw
P-D	1	Adjustable Arm Axle Sleeve

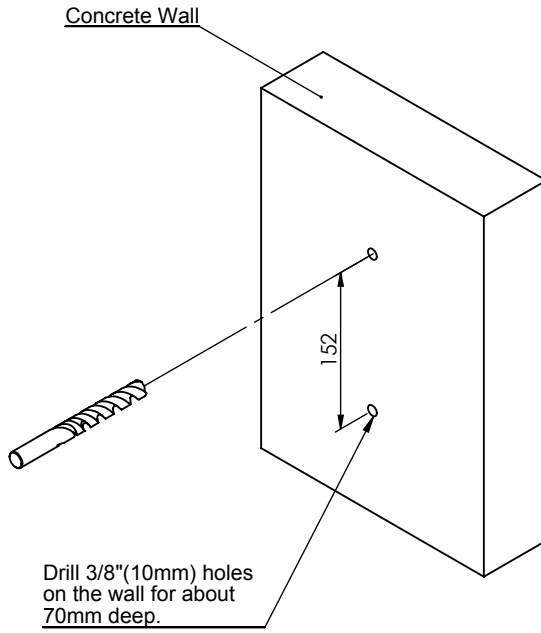


1



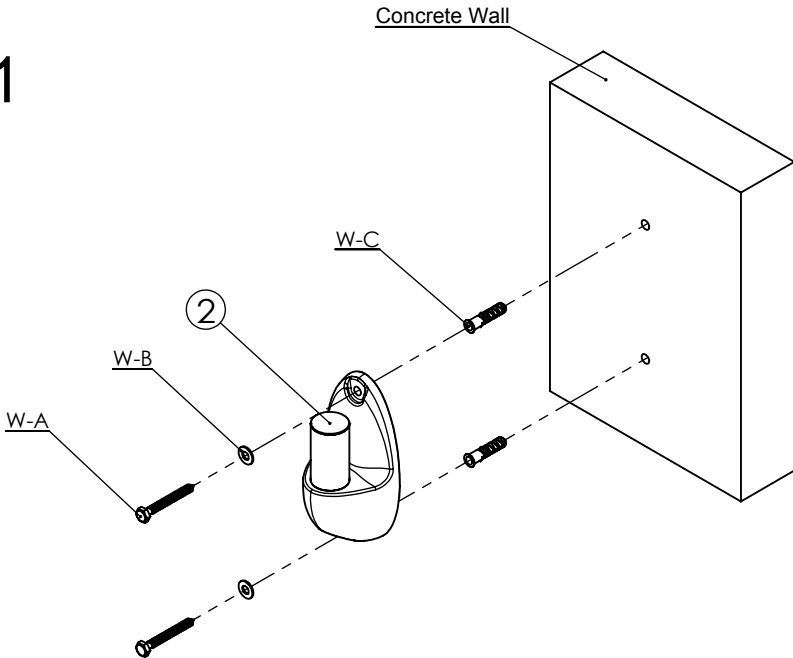
2a

opt 1



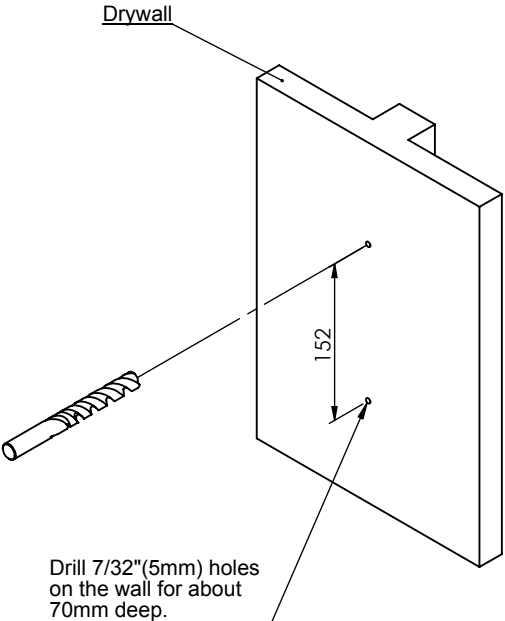
3a

opt 1



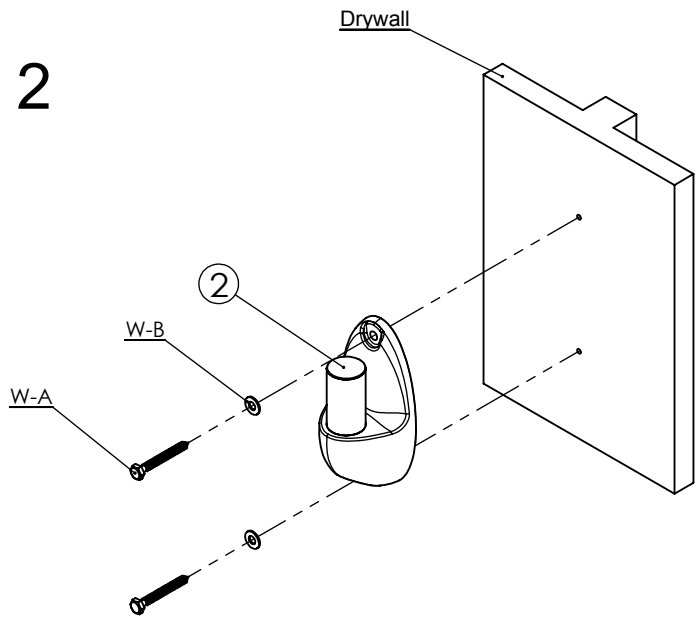
2b

opt 2

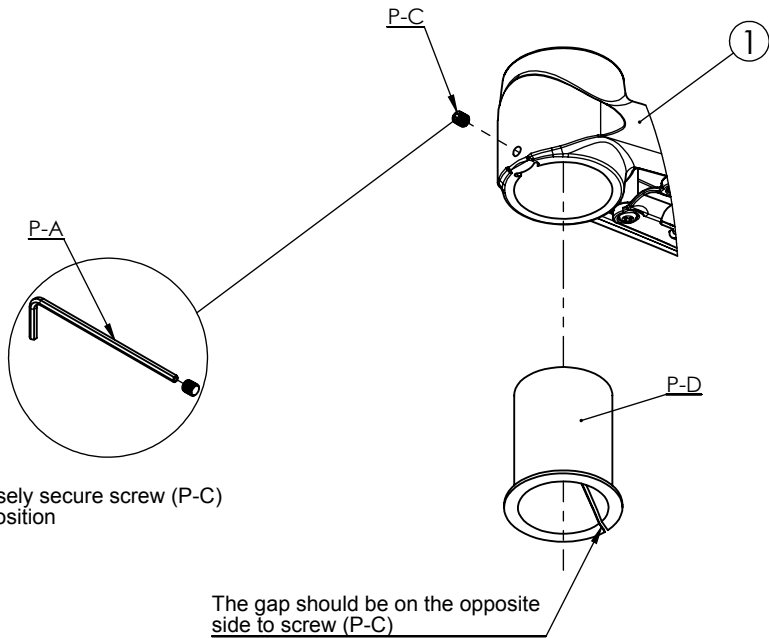


3b

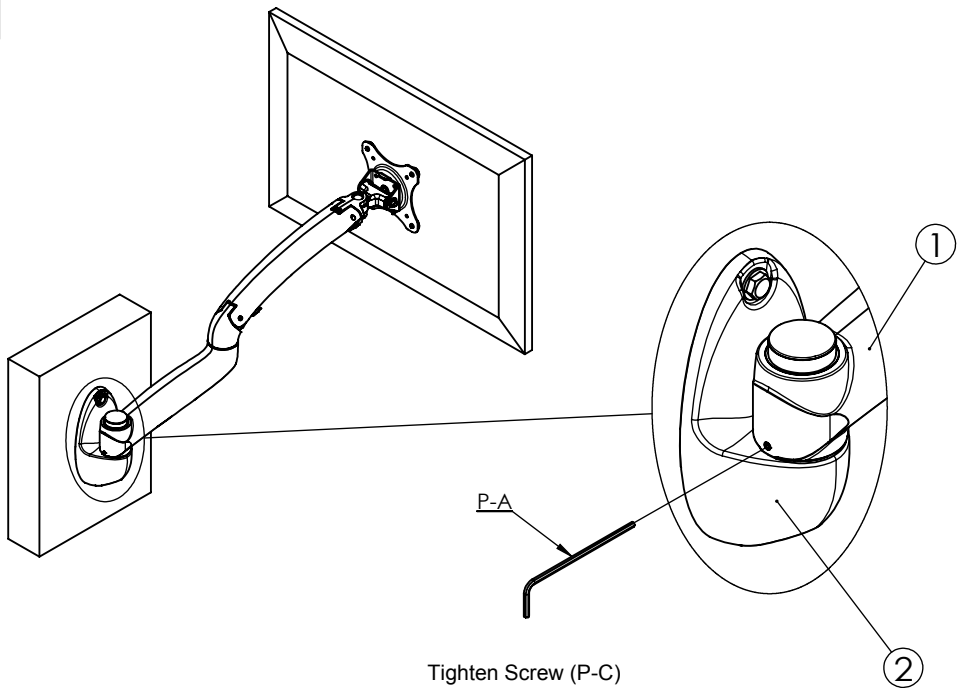
opt 2

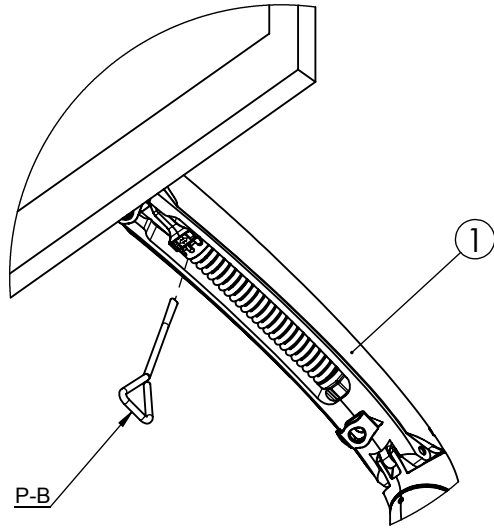


4



5





To adjust the tension of your mount.

